

## 9610 SERIES VIDEO DISTRIBUTION SYSTEM

# TECHNICAL SPECIFICATIONS

### FEATURES

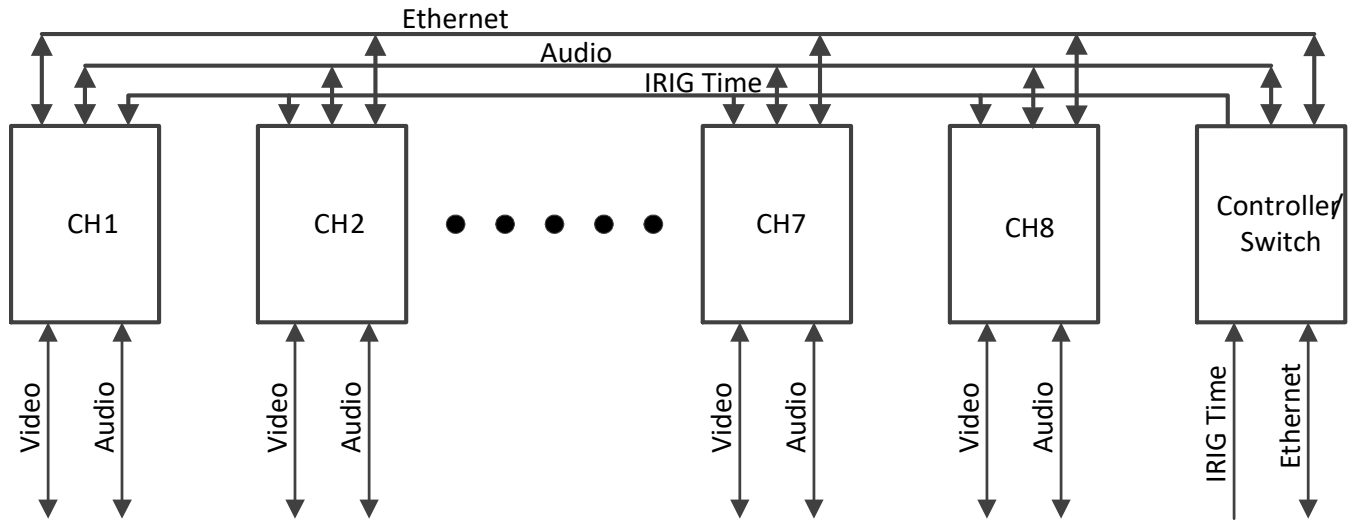
- Multi-channel video processing chassis for Video-over-IP applications
- Support for diverse video formats
  - HD/SD-SDI
  - DVI (Digital & Analog)
  - Composite
- Houses up to 8 Encoder/Decoder modules
- Fully configurable 10/100/1000 network interface module (VHC960)
- Copper or Fiber support via SFP
- Global Bus for IRIG-B Time and Audio via Switch/Controller Module
- 1U 19" Rack-mount Chassis
- 115/240 VAC Operation
  - Optional DC Operation
- Optional Recorder
- Optional +12VDC Aux Power
  - For camera power
- Optional Redundant Power



The 9610 Video Distribution System (VDS) is a modular product that provides scalability for video distribution and display applications. The VDS, and its companion video encoder and decoder modules, are designed to provide a cost-effective solution for encoding, streaming, and decoding diverse video formats such as those found in ground stations, operations centers, and classrooms. The VDS can support up to 8 channels of encoders and/or decoders and is compatible with other Delta, and competitive, encode/decode products.

The chassis features a Switch/Controller module that provides a single connection for transport stream inputs and outputs, channel configuration, and status. The module uses a Small Form-factor Pluggable (SFP) transceiver to support copper or fiber Ethernet connections. The integrated switch reduces, or saves, the expense of an external switch, while also using less space and power.

A switched 10/100 Ethernet interface is connected to all 8 channels via the backplane to the Switch/Controller module. IRIG-B time is distributed across the backplane to permit time stamping of each encoder channel. Audio can also be distributed from a selected channel and applied to all other encoder channels. An optional recorder module provides for debrief and archiving. The VDS can be configured to provide bussed auxiliary or redundant power.



### SPECIFICATIONS

#### SIZE

19" x 10.5" x 1.75" 1U

#### SLOTS

Encoder/Decoder 8  
 Switch/Controller 1  
 Recorder 1

#### LEDs

Power

#### WEIGHT

Single AC Power Supply 9lbs.

#### POWER REQUIREMENT

100-240VAC, 1.5A, 50-60Hz, 440Hz

#### POWER CONSUMPTION

Chassis/Switch Module Only  
 15 Watts  
 w/ Encoder/Decoder Modules  
 Add 7 Watts per Channel

#### OPERATING ENVIRONMENT

Temp (Op) -20°C to +60°C  
 Temp (Storage) -55°C to +85°C  
 Humidity 5% - 95% RH, non-condensing



©2015 Delta Information Systems, Inc.  
 All rights reserved. Revision 090215